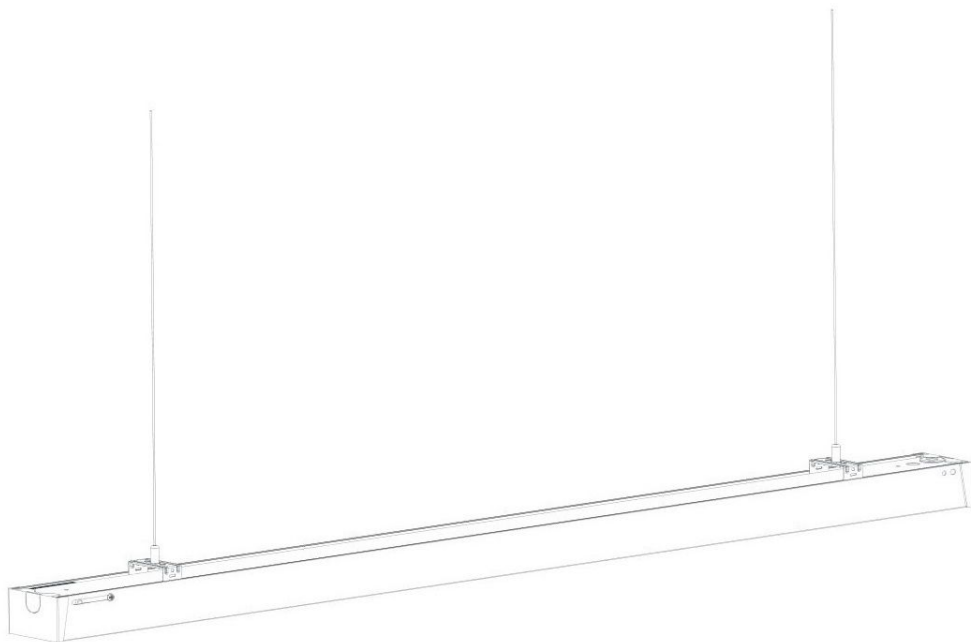


# 7050 LED LINEAR LIGHT



## Safety Instructions

Please note the following symbols and safety instructions, in order to avoid damage caused by incorrect assembly or use:

- Electrical installations may only be carried out by qualified electricians.
- Operating and storage of luminaire must be within rated temperature and humidity operation must be within rated input voltage.
- Keep away from strong electromagnetic radiation source and lightning strike.
- Should the unit malfunction, return to distributor or reseller. No user serviceable part inside. Risk of electric shock, don't disassemble or attempt to repair the luminaire.
- Do not install or use luminaire if the casing is found to be broken.
- The luminaire must be far away from heat, vibration source and should avoid contact with any corrosive chemical.
- Never cover the luminaire with heat isolating material.
- Always turn off power before installation and replacement.



## Advice for environmental care

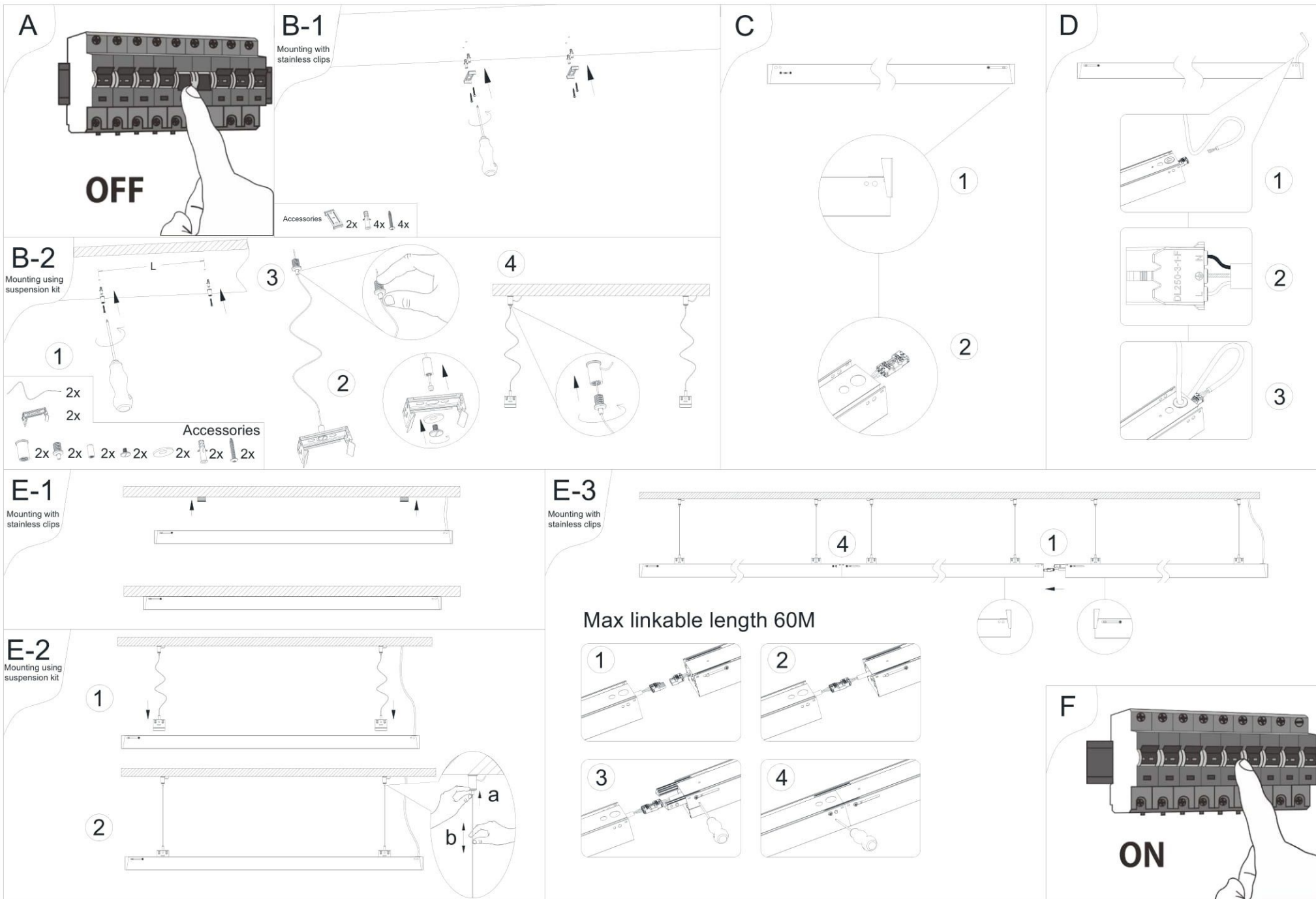
Don't put this article to normal domestic waste after it meets the end of life. You have to bring it to a staging area for electrical wastes. That's the meaning of this symbol which you can find directly on article, in the assembling instruction or on the packaging. The materials are recyclable at the basis of their identifications. With the recycling of these materials you have influence in environmental protection. Ask your local government for nearest staging area.

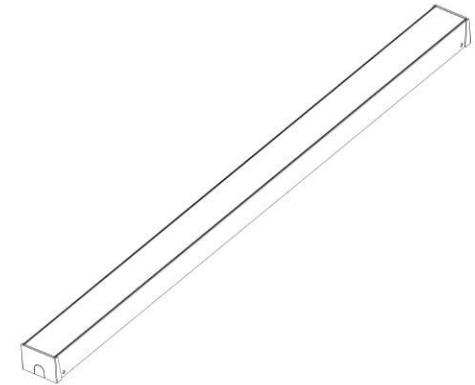
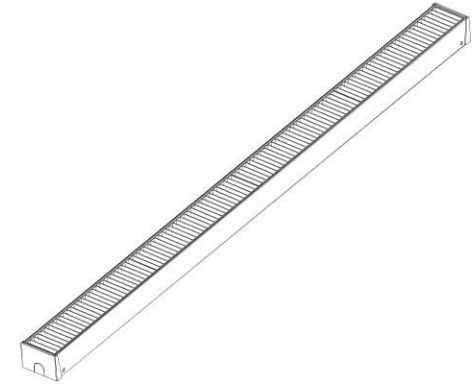
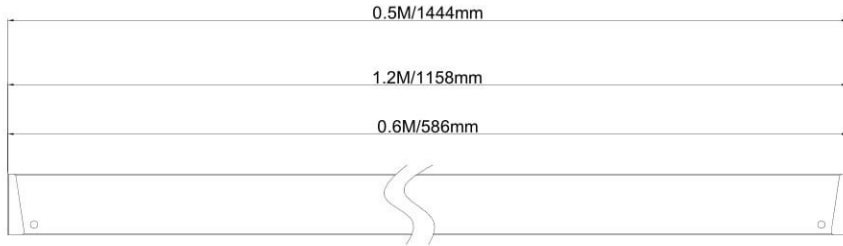
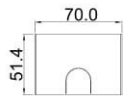
**Changes:** Do not make any changes to the lamp or its connecting cable.

**Connecting cable:** The exterior flexible cable of this light cannot be replaced. Scrap the lamp, if this cable is damaged.

**Commissioning:** Do not operate the lamp if it or its connecting cable show visible signs of damage.

**Changing illuminant:** Before replacing the illuminant ensure that the light is not turned on! Lights and illuminants will become hot in operation. Allow them to cool off before a change.





unit:mm

